

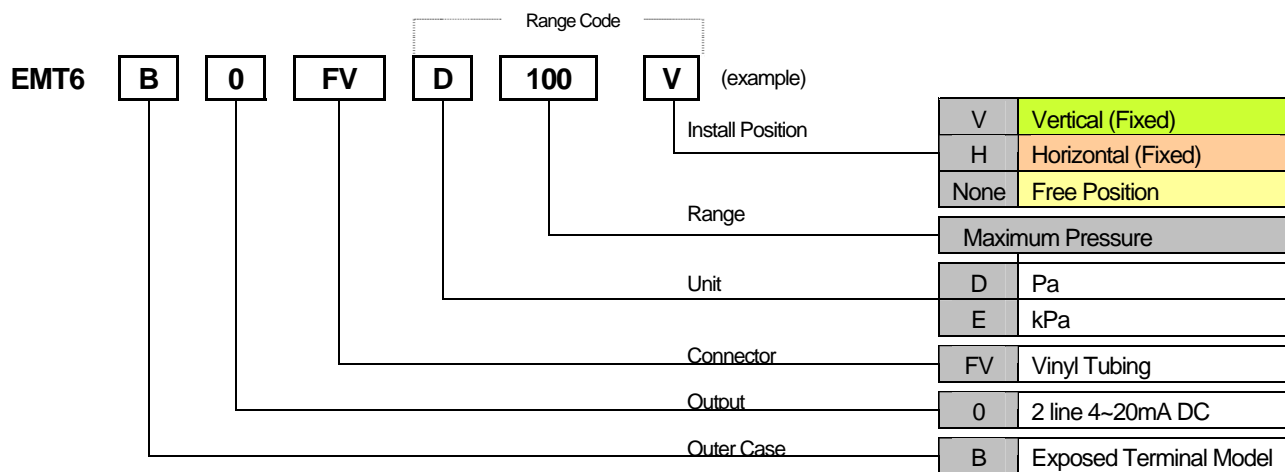
RoHS Compliant

Manosys Pressure Transmitter (small) : EMT6



EMT6

Product Code Naming



Specifications

Model		EMT6			
Units	Pa, kPa				
Type of Measurement	Differential pressure				
Gases Measured	Air and non-corrosive gases (no liquids)				
Mechanism	Diaphragm (silicon rubber)				
Max. Pressure (Diaphragm)	10kPa				
Maximum Pressure (Unit)	50kPa				
Outer Casing	Polyamide resin				
Electric Signal Conversion	Variable inductance				
Insulation Resistance	Between terminal & ground: over 20M Ω (500V DC megger)				
Operating Temperature	0°C~50°C (no icing)				
Operating Humidity	< 90%Rh (no condensation)				
Vibration Resistance	5-10Hz Total Amplitude 10mm 10-50Hz Accelerated Amplitude 39m/s ² (2Hr in each triaxial direction)				
Shock Resistance	100m/s ² (6 times in each triaxial direction)				
Applicable Tubing	Vinyl Tubing or rubber tubing (ID 4 mm)				
Connectors	Built-in				
Orientation of Connectors	High pressure side marked "H", low pressure side marked "L"				
Weight	Approx. 110g				
Pressure Range Code	Pressure Range	Installation Position	Accuracy at 20°C	Temperature Drift (Zero + Span)	Output & Transmittance
D50 H D100 H D200 H D300 H	0~50 Pa 0~100 Pa 0~200 Pa 0~300 Pa	Horizontal (fixed)	± 2.5% F.S.	± 0.15%F.S./°C	2-line: Output signal 4~20mA DC (load resistance < 500 Ω) Power supply 24V DC ± 10% (ripple <0.2V P-P)
D50 V D100 V D200 V D300 V	0~50 Pa 0~100 Pa 0~200 Pa 0~300 Pa	Vertical (fixed)			
D500 D1000	0~500 Pa 0~1000 Pa	Free position:			
E2 E3 E5	0~2 kPa 0~3 kPa 0~5 kPa	Horizontal or vertical			

- For the measurement of flammable gases, or for use in a flammable atmosphere, please use intrinsically-safe explosion-proof model EMT1H.

For more information, please contact:

Bellex International Corporation

200 Bellevue PKWY, Suite 180

Wilmington, DE 19809, USA

Tel: 302-791-5180, Fax: 302-791-5190,

www.bellexinternational.com